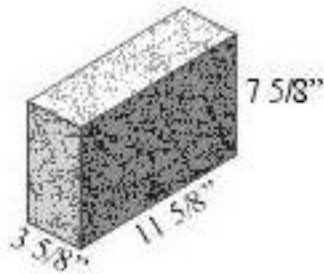
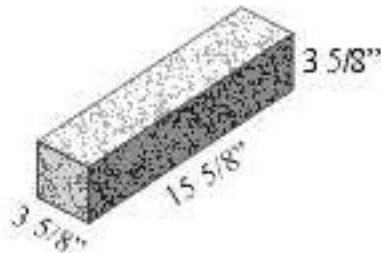


4 Inch Block

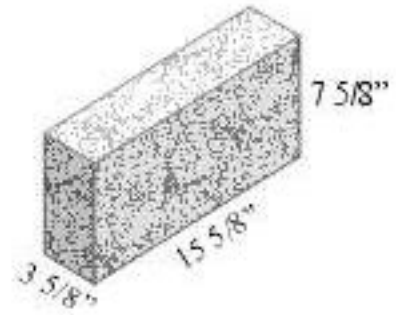
**4 X 8 X 12 Solid
#412 S**



**4 X 4 X 16 Solid
#44 S**



**4 X 8 X 16 Solid
#4 S**



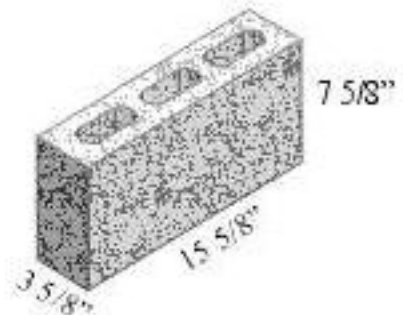
**4 X 8 X 8 Hollow
#48 H**



**4 X 5 X 16 Hollow
#45 H**



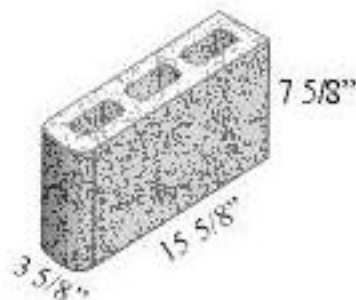
**4 X 8 X 16 Hollow
#4 H**



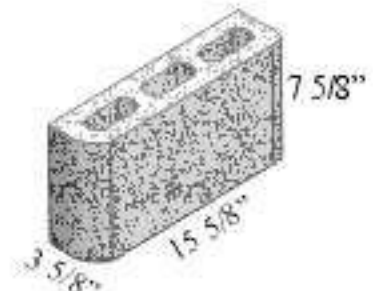
**4 X 8 X 16 Single Bull Nose
#4 BN**



**4 X 8 X 16 Double Bull Nose
#4 DBN**

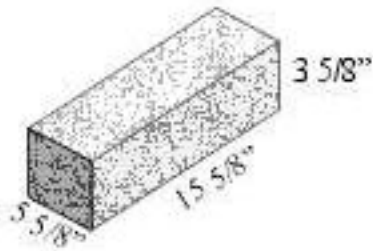


**4 X 8 X 16 Double Face
Bull Nose
#4 DFBN**

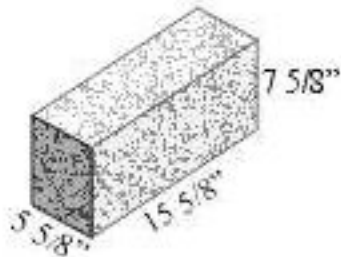


6 Inch Block

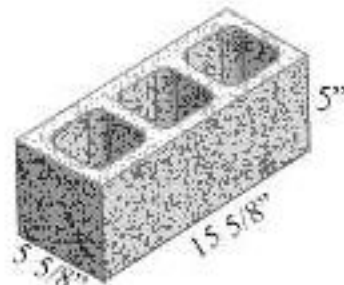
**6 X 4 X 16 Solid
#6 S**



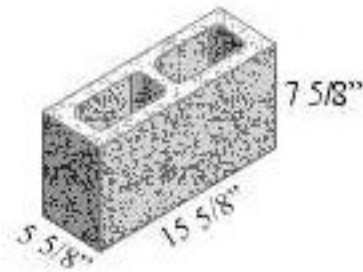
**6 X 8 X 16 Solid
#6 S**



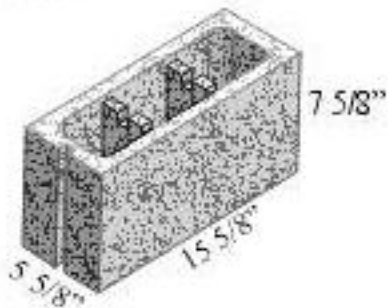
**6 X 5 X 16 Hollow
#65 H**



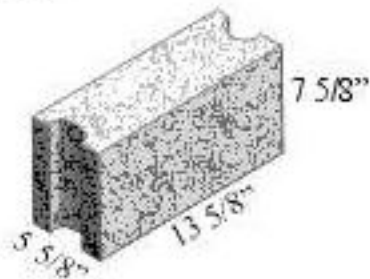
**6 X 8 X 16 Hollow
#6 H**



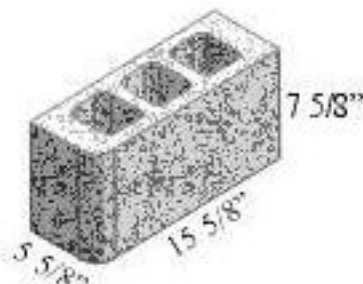
**6 X 8 X 16 Knockout
#6 KO**



**6 X 8 X 14
Catch Basin Block
#6 CB**



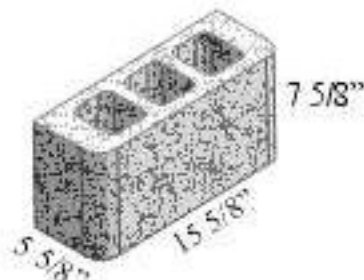
**6 X 8 X 16 Single Bull Nose
#6 BN**



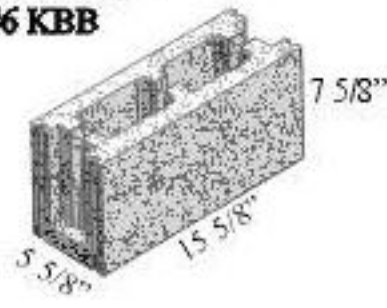
**6 X 8 X 16 Double
Bull Nose
#6 DBN**



**6 X 8 X 16 Double Face
Bull Nose
#6 DFBN**

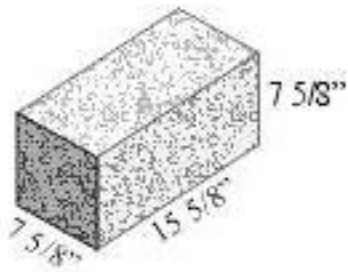


**6 X 8 X 16 Knock-out
Bond Beam
#6 KBB**



8 Inch Block

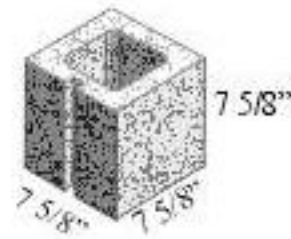
**8 X 8 X 16 Solid
#85**



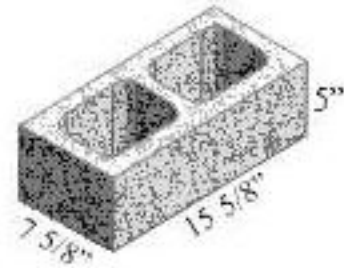
**8 X 8 X 12 Hollow
#128 H**



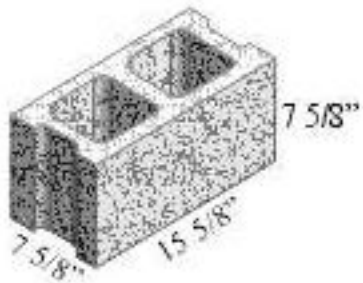
**8 X 8 X 8 Hollow
#88 H**



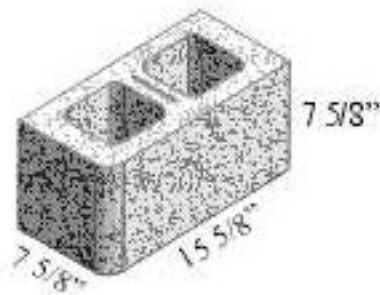
**8 X 5 X 16 Hollow
#85 H**



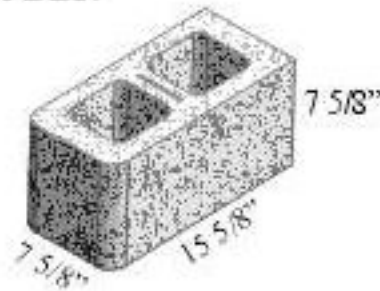
**8 X 8 X 16 Hollow
#8 H**



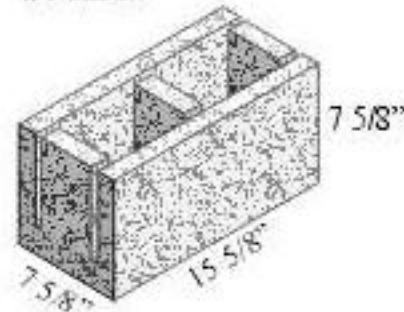
**8 X 8 X 16 Single Bull Nose
#8 BN**



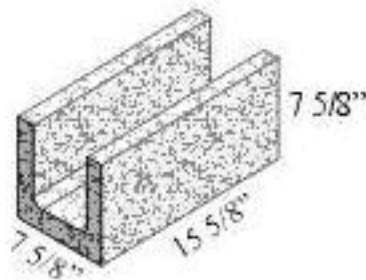
**8 X 8 X 16 Double
Bull Nose
#8 DBN**



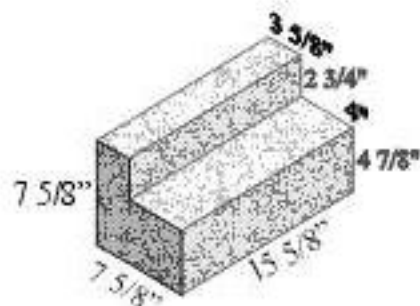
**8 X 8 X 16 Hollow
Bond Beam
#8 HBB**



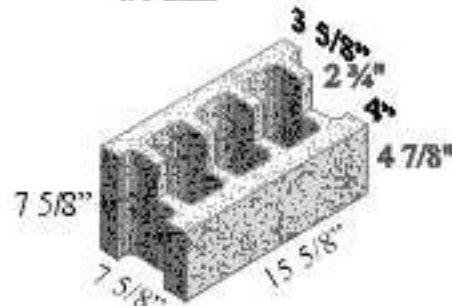
**8 X 8 X 16 Bond Beam
#8 SBB**



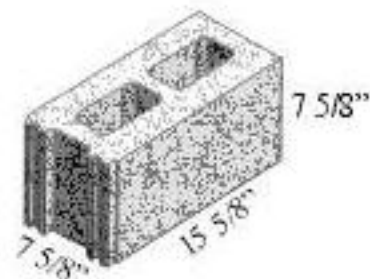
**8 X 8 X 16 Solid Header
#8 SH**



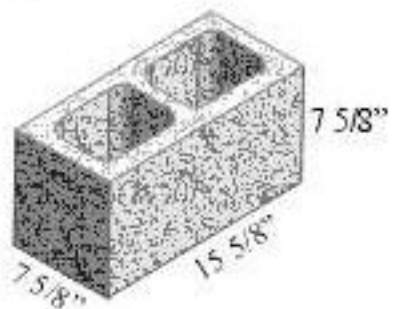
**8 X 8 X 16
Hollow Header
#8 HH**



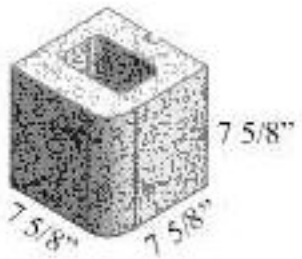
**8 X 8 X 16 75% Solid
#8 75%**



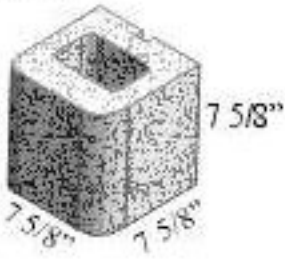
**8 X 8 X 16 Pier
#8 P**



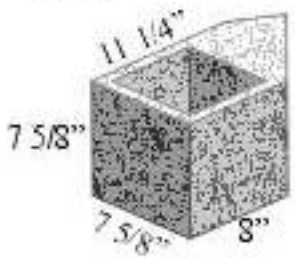
**8 X 8 X 8 Single Bull Nose
#88 BN**



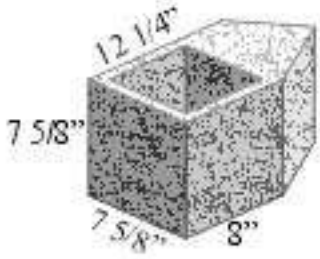
**8 X 8 X 8
Double Bull Nose
#88 DBN**



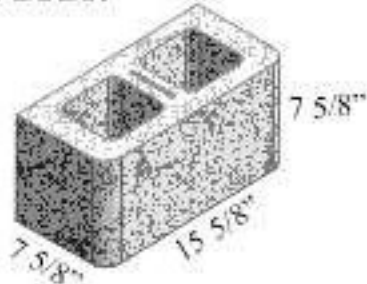
**8 X 8 X 11 45° Degree
#82 HR
13 1/4"**



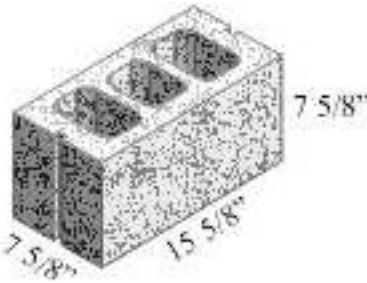
**8 X 8 X 11 60° Degree
#82 HR
14**



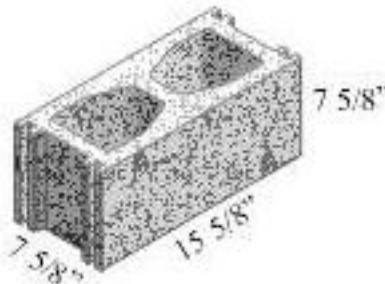
**8 X 8 X 16
Double Bull Face
#8 DFBN**



**8 X 8 X 16 3 Core
#8 3C**

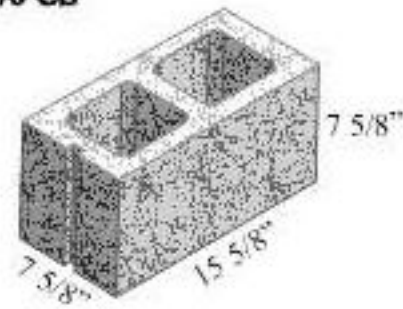


**8 X 8 X 16 2HR 2 Core
#82 HR**

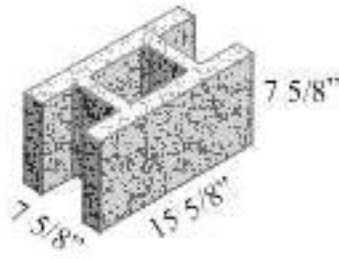


Special Order

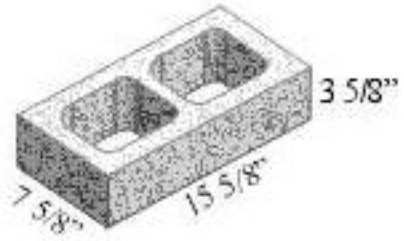
**8 X 8 X 16 Corner Sash
#8 CS**



**8 X 8 X 16 Rerod Block
#8 R**

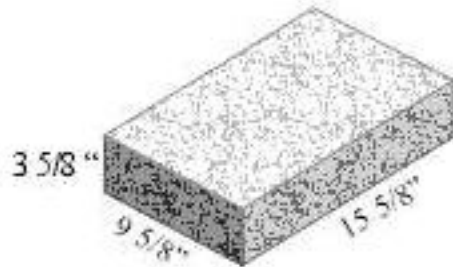


**8 X 4 X 16 Hollow
#84 H**

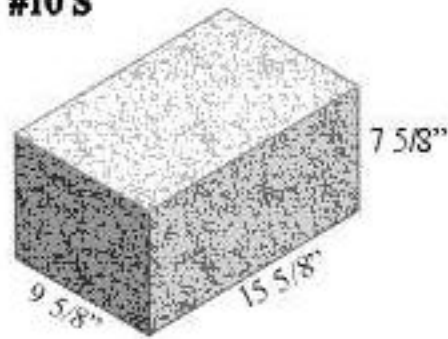


10 Inch Block

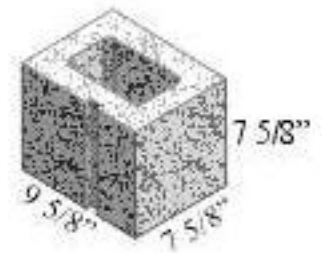
**10 X 4 X 16 Solid
#104 S**



**10 X 8 X 16 Solid
#10 S**

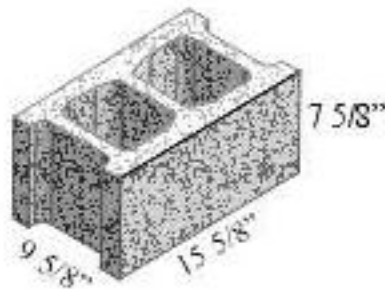


**10 X 8 X 8 Hollow
#108 H**

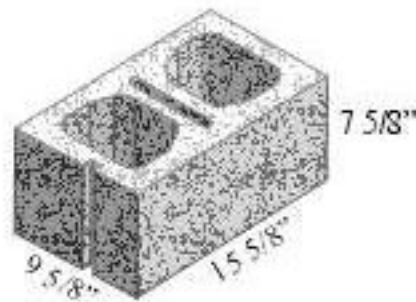


Special Order

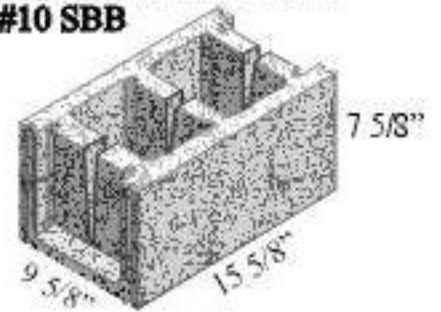
**10 X 8 X 16 Hollow
#10 H**



**10 X 8 X 16 Corner Sash
#10 C**



**10 X 8 X 16 Combination
Semi Solid Bond Beam
#10 SBB**



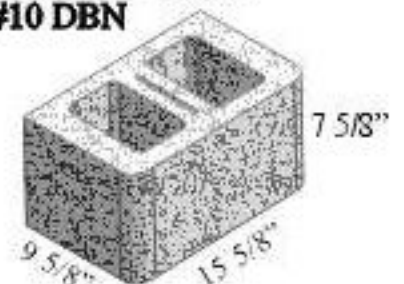
**10 X 8 X 8 Single Bull Nose
#108 SBN**



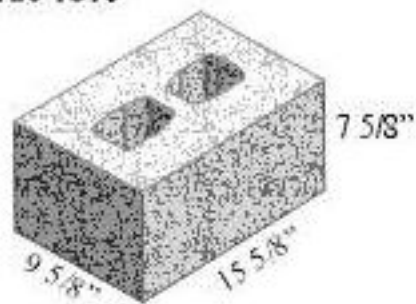
**10 X 8 X 8 Double Bull Nose
#108 DBN**



**10 X 8 X 16
Double Bull Nose
#10 DBN**

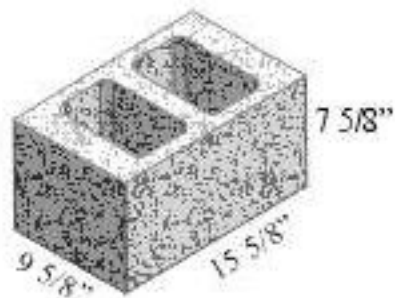


**10 X 8 X 16 75%
#10 75%**



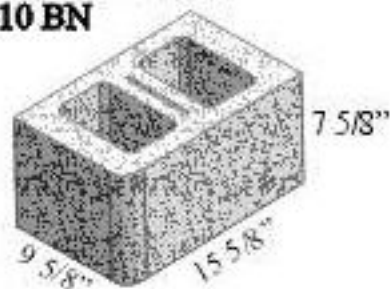
Special Order

**10 X 8 X 16 2 Core Pier
#102 CP**

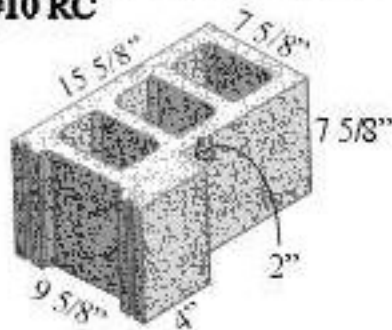


Special Order

**10 X 8 X 16
Single Bull Nose
#10 BN**

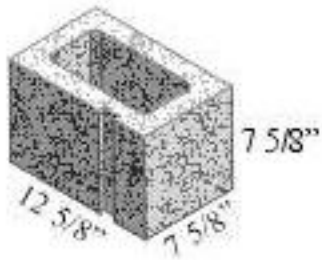


**10 X 8 X 16 Return Corner
#10 RC**

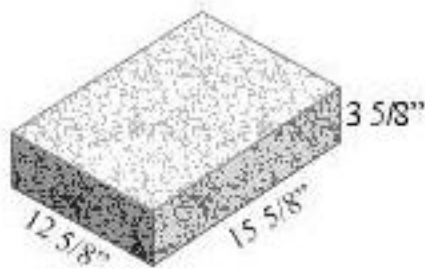


12 Inch Block

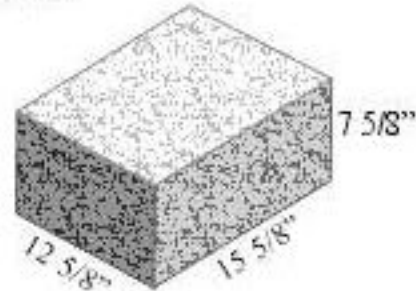
**12 X 8 X 8 Hollow
#128 H**



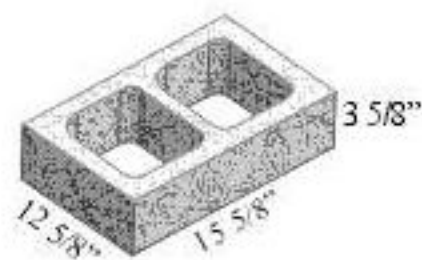
**12 X 4 X 16 Solid
#124 S**



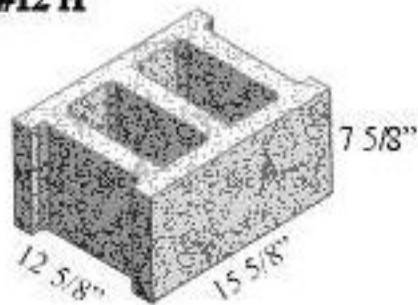
**12 X 8 X 16 Solid
#12 S**



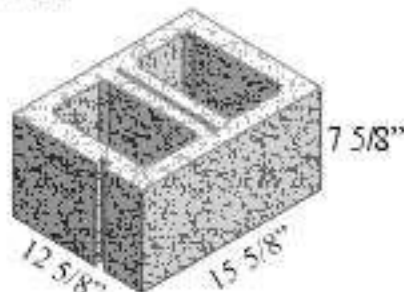
**12 X 4 X 16 Hollow
#124 H**



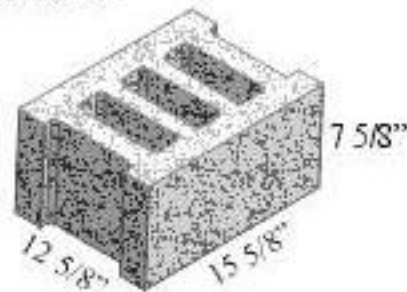
**12 X 8 X 16 Hollow
#12 H**



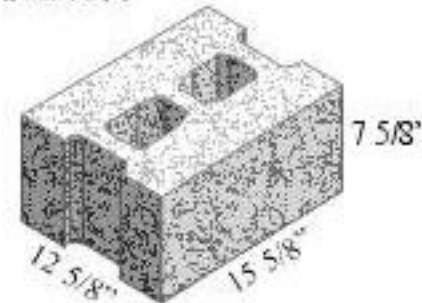
**12 X 8 X 16 Corner Sash
#12 C**



**12 X 8 X 16 3 Core
#123 C**



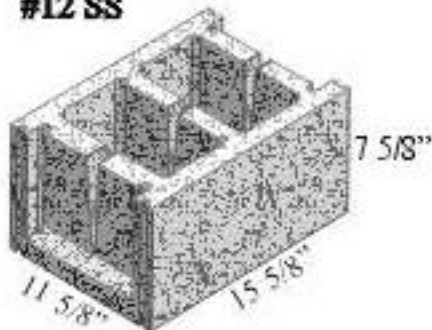
**12 X 8 X 16 75% Solid
#12 75%**



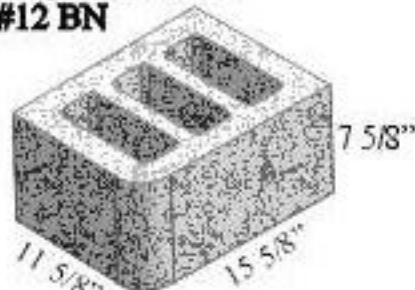
Special Order

Special Order

**12 X 8 X 16 Semi Solid
Bond Beam
#12 SS**



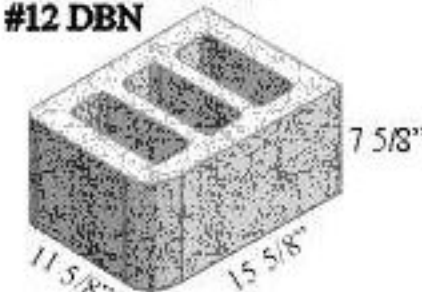
**12 X 8 X 16
Single Bull Nose
#12 BN**



**12 X 8 X 16
Double Face Bull Nose
#12 DFBN**

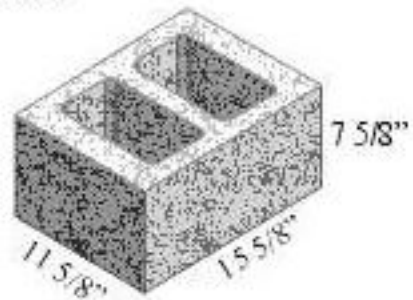


**12 X 8 X 16
Double Bull Nose
#12 DBN**

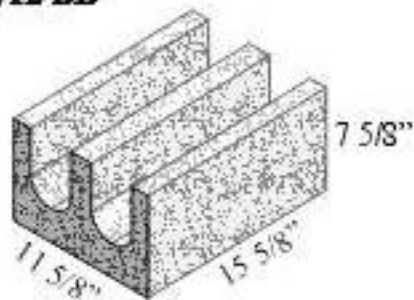


Special Order

**12 X 8 X 16 Pier
#12 P**



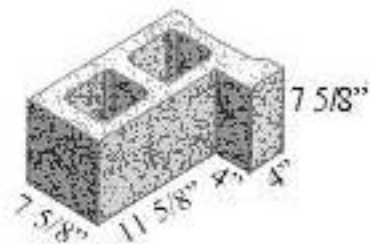
**12 X 8 X 16 Bond Beam
#12 BB**



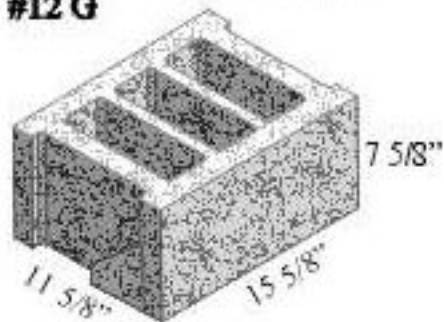
**12 X 8 X 16
Hollow Bond Beam
#12 HBB**



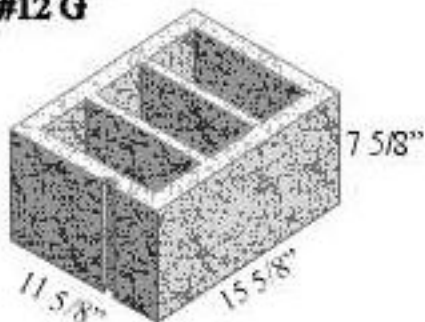
**12 X 8 X 16 Return Corner
#12 RC**



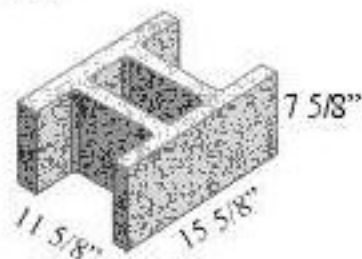
**12 X 8 X 16 Grade Block
#12 G**



**12 X 8 X 16 Utility
#12 U**

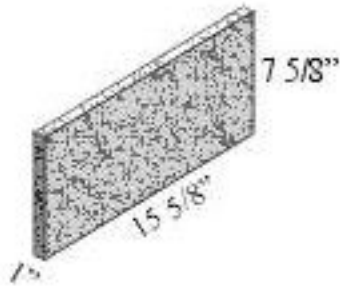


**12 X 8 X 16 Rerod Block
#12 R**

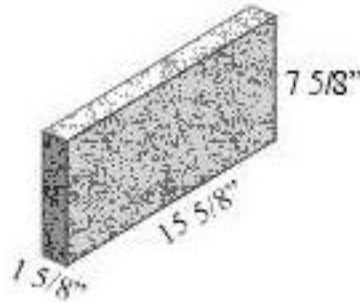


Other Block

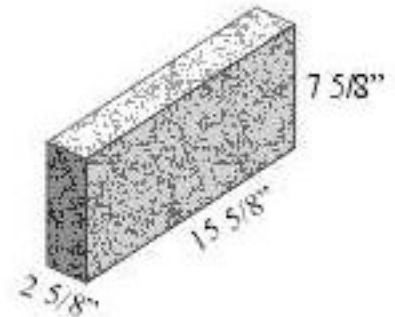
**1 X 8 X 16 Solid
#1 S**



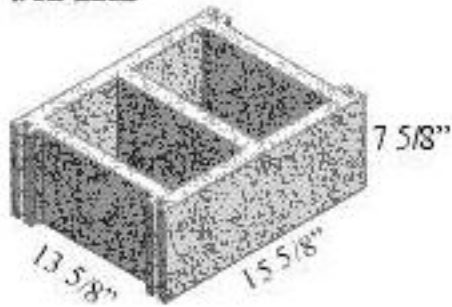
**2 X 8 X 16 Solid
#2 S**



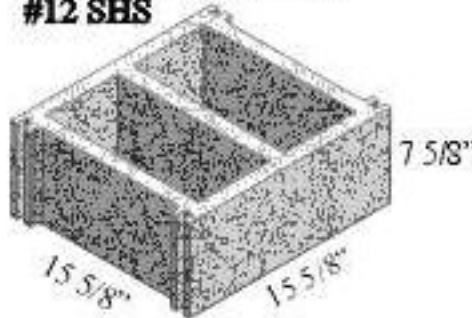
**3 X 8 X 16 Solid
#3 S**



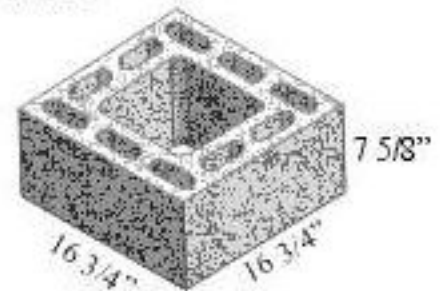
**14 X 8 X 16 Stretcher
#12 SHS**



**16 X 8 X 16 Stretcher
#12 SHS**



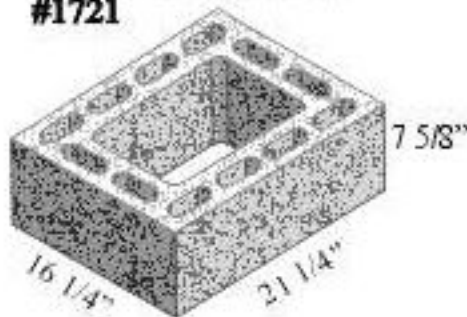
**17 X 8 X 17 Chimney
#1717**



8 X 8 Flue

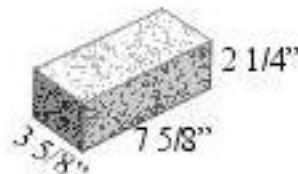
Special Order

**17 X 8 X 21 Chimney
#1721**



8 X 12 Flue

**Standard Cement Brick
#CMTBR**



**Double Cement Brick
#DBCMTBR**

